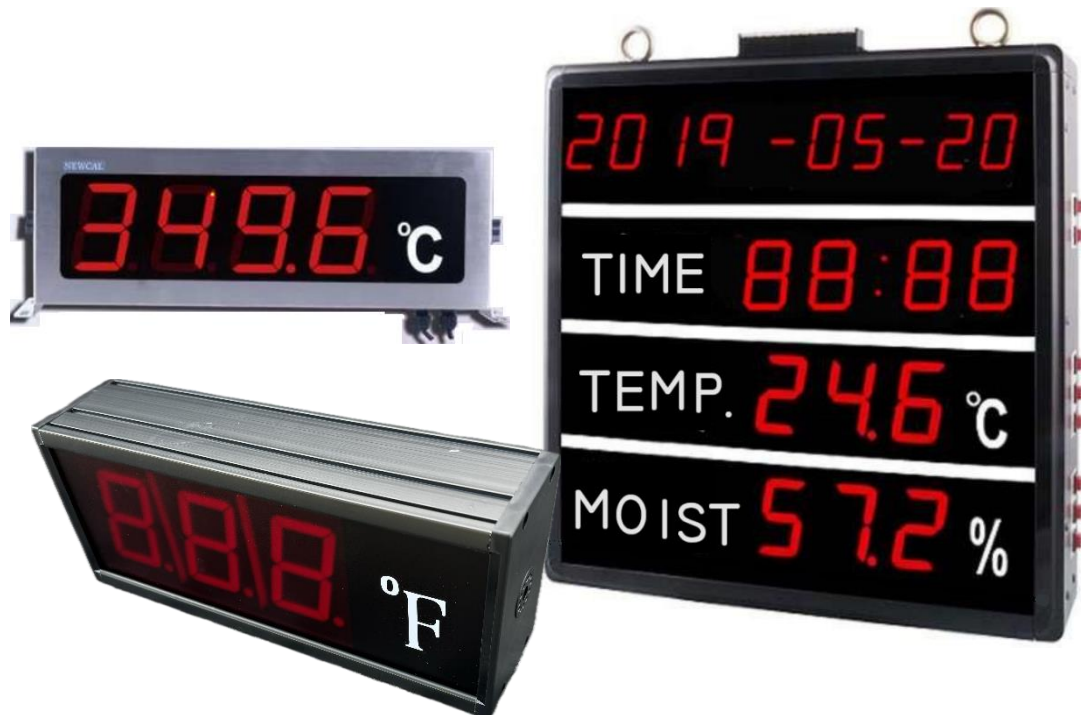


LARGE DIGITAL INDUSTRIAL DISPLAYS

Our extensive range of Large Digital LED Temperature Displays caters to both Industrial and Commercial needs. These displays offer versatile mounting options including Panel, Wall, or Suspension. Features include alarm and retransmission outputs



The Industrial Range

These displays support industry-standard Thermocouple inputs and 2/3 wire PT100/RTD sensors, offering a broad range of temperature scales in both °C and °F.

Input Type and Range:

- Thermocouple Type J: 32-1382°F (0-750°C)
- Thermocouple Type K: 32-2192°F (0-1200°C)
- Thermocouple Type R: 752-2912°F (400-1600°C)
- Thermocouple Type S: 752-2912°F (400-1600°C)
- Thermocouple Type T: 32-752°F (0-400°C)
- RTD/ PT100: -326~392°F (-199~200°C)

Application Environment

These Large Digit Industrial Displays are designed with more advanced features compared to the Commercial range, meeting the precise needs of demanding industrial applications. They are widely utilized in environments ranging from clean rooms to foundries and steel plants.

The Industrial Display range offers:

1. **Alarm Outputs:** High, Low
2. **Analog Outputs:** 4-20mA or 0-10Vdc
3. **Serial Outputs:** RS-232, RS-485, MODBUS, ASCII
4. **Enclosure Ratings:** IP54/NEMA 3 or IP65/NEMA 4X
5. **Stainless Steel Option:** IP65/NEMA 4X
6. **High Brightness LEDs:** For daylight viewing in outdoor applications
7. **Digit Heights:** 3", 4", 6", 8", 12", 14", 16", 18" (16" available upon request)
8. **Display Options:** Double-sided or single-sided
9. **Multiline Display Capability**
10. **Mounting Options:** Wall, Panel, or Suspension (typically for double-sided displays)

Product Selection Guidance for Displays

Digit Heights and Viewing Distances

The following table provides estimated viewing distances based on LED manufacturer recommendations for clear readability. These estimates are for guidance; if in doubt, consider choosing a larger or smaller digit size.

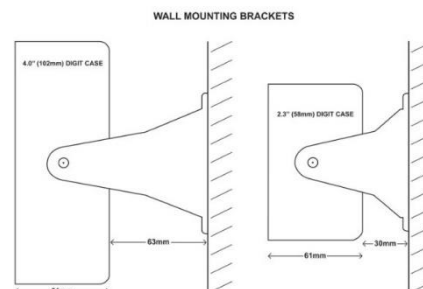
Digit Height	Estimated Viewing Distance
2.3" (58mm)	15 meters / 50 feet
4" (102mm)	35 meters / 115 feet
6" (150mm)	55 meters / 180 feet
8" (203mm)	75 meters / 246 feet
12" (305mm)	115 meters / 377 feet
14" (355mm)	135 meters / 442 feet
16" (400mm)	155 meters / 508 feet
18" (457mm)	170 meters / 557 feet

Display Format Options

- **Single-Sided**
- **Double-Sided**
- **Dual Line**
- **Multi-Line** (more than two lines)

Mounting Options

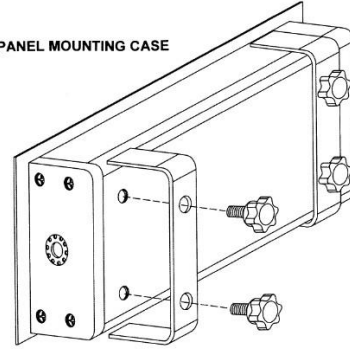
- **Wall Mounting** (2.3" and 4.0" models): Suitable for both indoor and outdoor use. Displays can be mounted directly to a wall with adjustable side brackets or 'L' shaped brackets for heavier models. Note: Wall fixings are not supplied.



- **Panel Mounting** (2.3", 4.0", 6.0" models): Ideal for flush installation into control panels, providing a clean finish. Panel lock-up brackets are included for this type of installation.



2.3" and 4.0" PANEL MOUNTING CASE



- **Suspension Mounting:** Used when displays need to be positioned above head height, typically for larger digits (6" and up) and often double-sided. Displays are hung from overhead beams using chains or other secure methods. Note: Suspension chains and hardware are not supplied.



Outputs

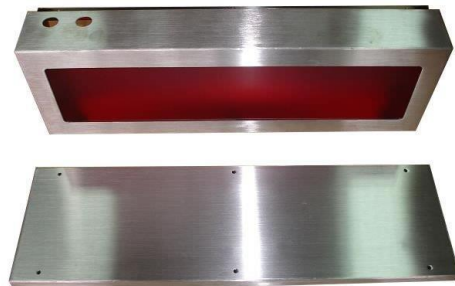
- **Re-Transmission Output:** Available in 0-10Vdc, 4-20mA, RS-232, RS-485, MODBUS, and ASCII. Only one output type can be selected per display.
- **Alarm Output:** 3A SPCO rated for triggering external devices, sounders, or beacons. Options include LO Alarm, HI Alarm, and HI/LO Alarm. User-adjustable (scalable).

Case Ratings

- **IP54 / NEMA 3:** Suitable for most indoor applications, providing protection against dust, light water spray, oil, and grime.
- **IP65 / NEMA 4X:** Designed for outdoor use and harsh indoor environments. Fully weatherproof and corrosion resistant.
- **IP65 Stainless Steel:** 316 grade stainless steel, ideal for food processing and environments exposed to salt or sea air.



IP54 Standard Aluminum Case



Stainless Steel Case



IP65 Black Painted Case

LED Colors

- **Red:** Standard on 2.3", 4", 7" (7-segment) and 2.3", 4", 6", 8", 12", 14", 18" (DOT LED).
- **Green:** 2.3", 4" (7-segment) and 2.3", 4", 6", 8", 12", 14", 18" (DOT LED).
- **Amber:** 2.3", 4" (7-segment) and 2.3", 4", 6", 8", 12", 14", 18" (DOT LED).
- **Blue:** 2.3", 4" only (7-segment).

Power Supply Options

- **95~265Vac** (Standard)
- **24Vdc** (Additional cost)
- **12Vdc** (Additional cost, for Thermocouple inputs only, not PT100/RTD)

Additional Displays

- **Multiline Temperature Displays:** Popular models include the Dual Line Temperature and Humidity Display with built-in dual sensor and 4-20mA input circuit, requiring only a power supply.

For more details on our full range of displays, including analogue to digital, counters, timers, and totalizers, please refer to our product catalog.

Explore Our Complete Range of Large Digital LED Displays

Analogue to Digital (A to D) Displays

Our A to D LED Displays handle all standard industrial input signals for voltage and current, offering scalability and the ability to display any engineering units with programmable decimal points.

Counters and Rate Displays

Our LED Counters accommodate standard input signals including contact closures, 24Vdc, NPN, PNP, and Quadrature. These displays are available for up/down counting, batch or totalizing counts, and can be configured for single-line or multi-line displays.

Timers and Totalizers

Our Timers offer time bases in hours, minutes, seconds, and combinations thereof. For more extensive needs, long-range timers with years, weeks, and days are available. Functions include up/down timing, totalizing, batch timing, TAKT timing, repeat cycle, and one-shot outputs.

Industrial Temperature Displays

These displays support industry-standard Thermocouple inputs and 2/3 wire PT100/RTD sensors, covering a broad range of temperature scales in °C or °F.

Temperature and Humidity Displays

Our integrated Temperature and Humidity Displays feature two separate displays within a single case. They come with an integral 4-20mA dual input sensor or a dual 0-10Vdc input signal.